



How to Attach Butler Robotics to a Prodigy

Bag #

Contents

Picture

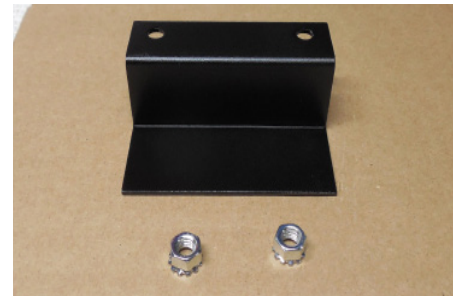
39

10" & 7" Universal Display Bracket



28

Motor Pulley Cover



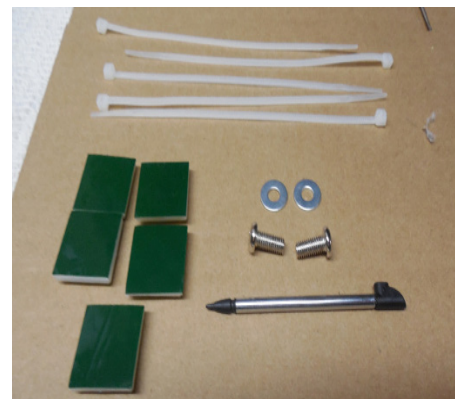
10

Cables



26

Stylus, zip ties, anchor

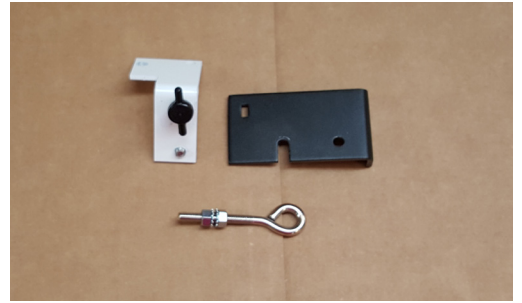


Bag

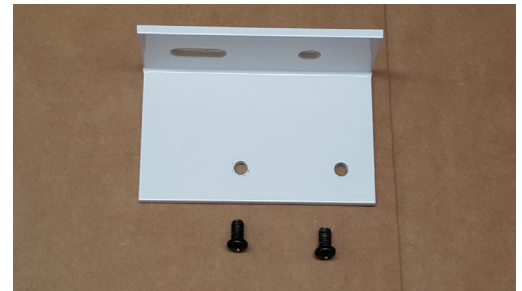
Contents

Picture

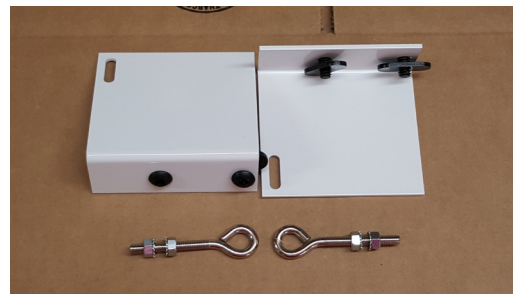
Carriage bracket, Belt bracket, eye bolt



Motor box bracket, screws

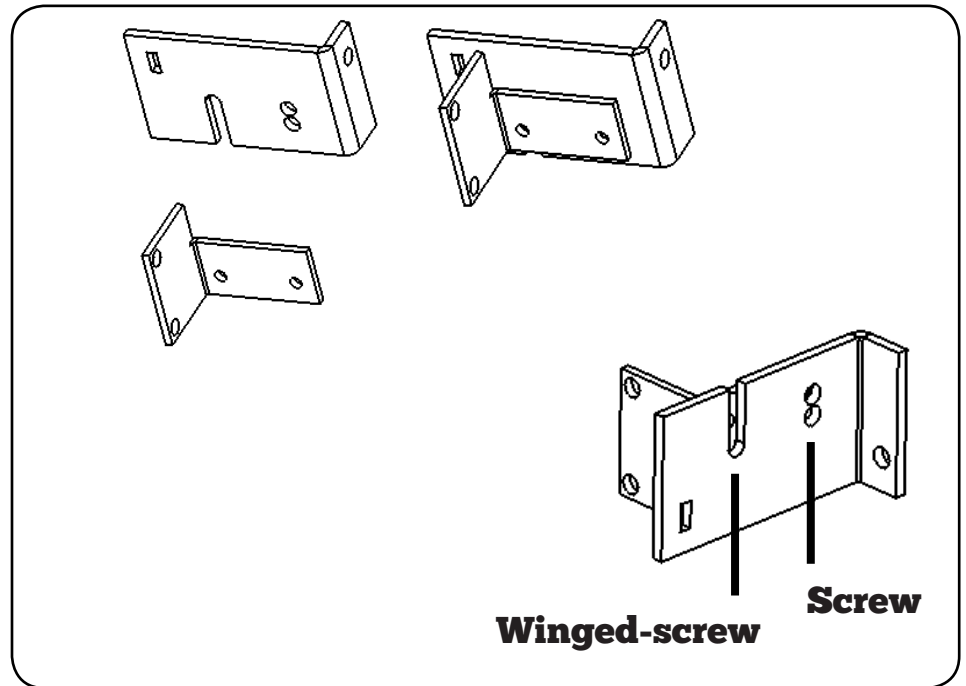


X brackets, eye bolts, T nut screws

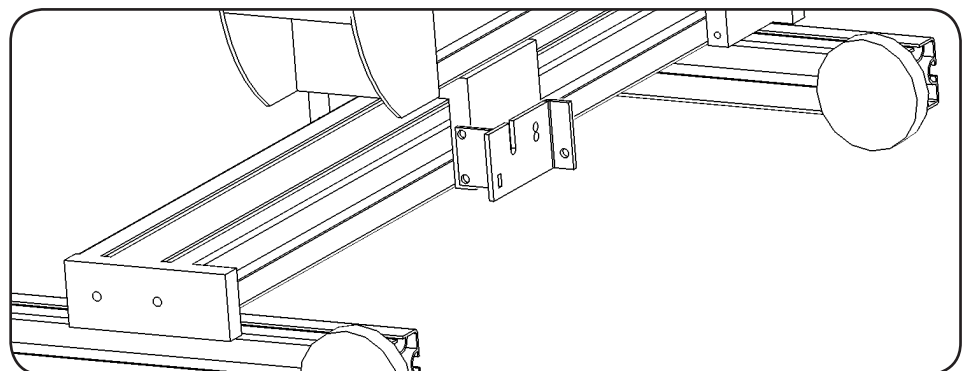
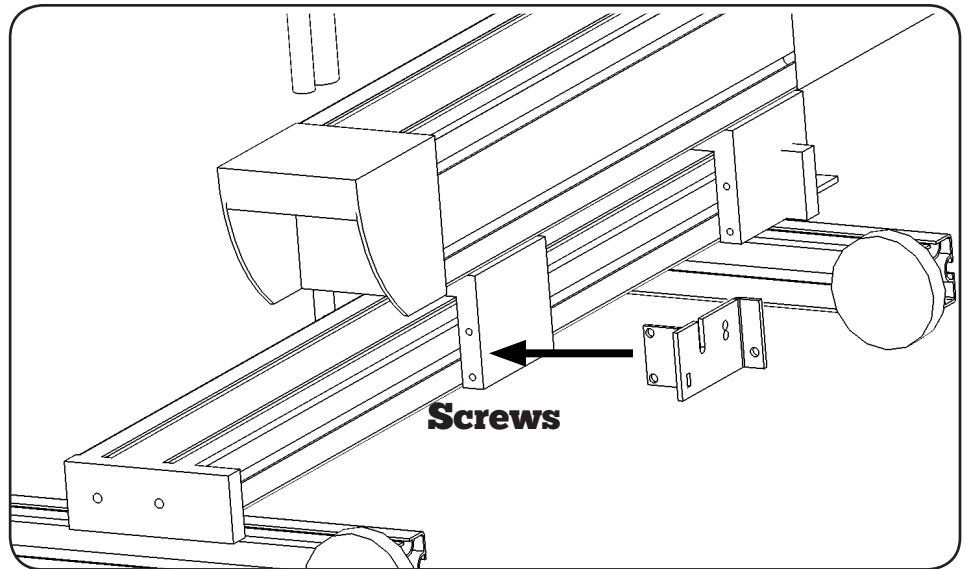


Attach the Front Carriage Bracket

- 1** Attach the black belt bracket to the carriage bracket using the provided screws.



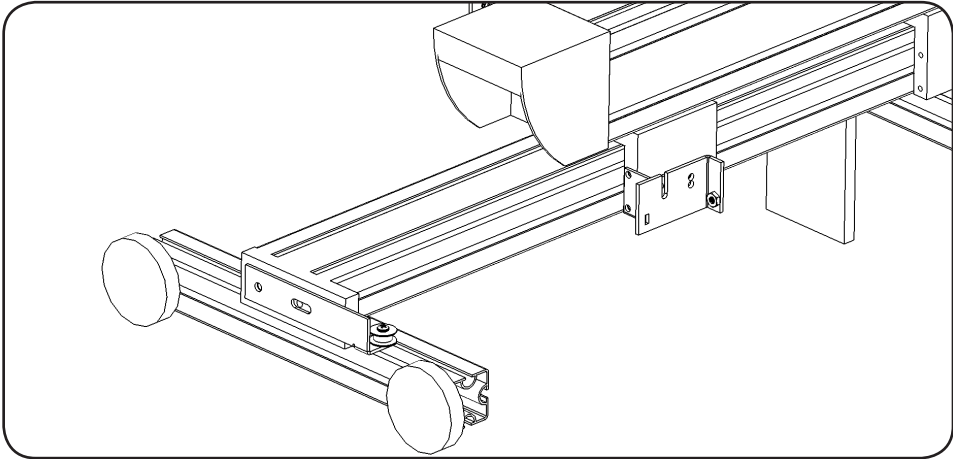
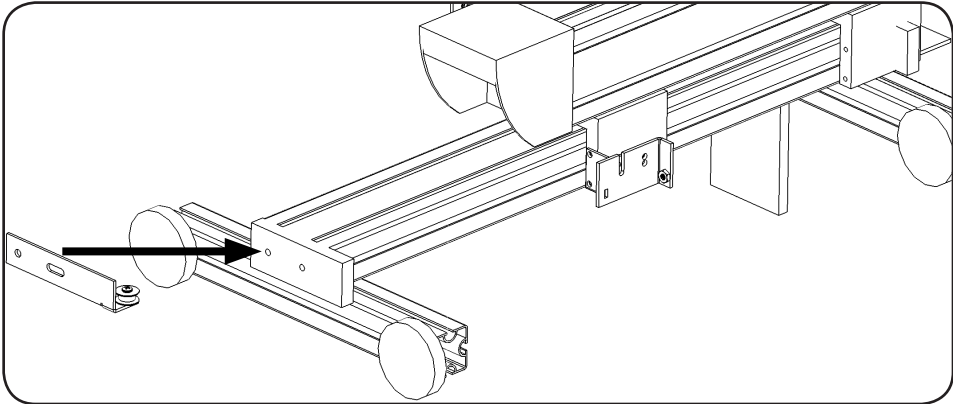
- 1** Attach the carriage bracket to the frame as indicated at right using the provided screws.



Install Front Idle Bracket

1

Install a front idle bracket using the provided screws.

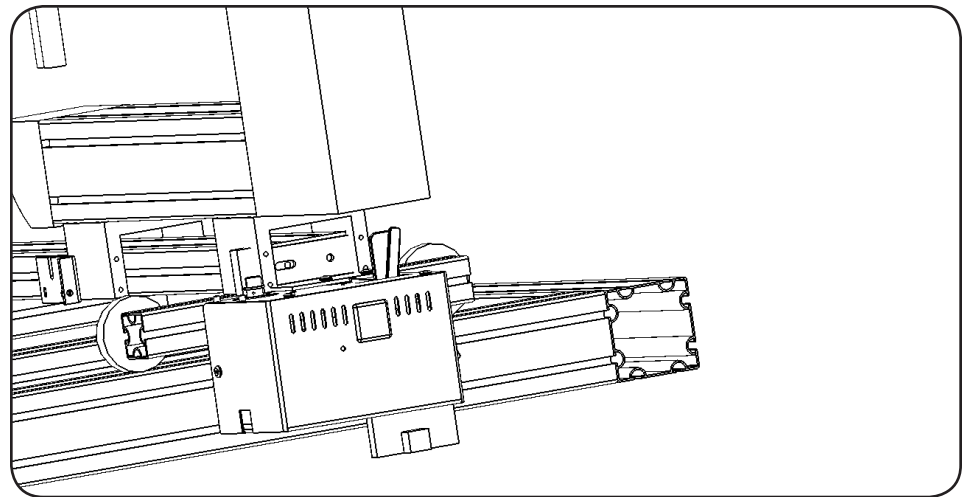
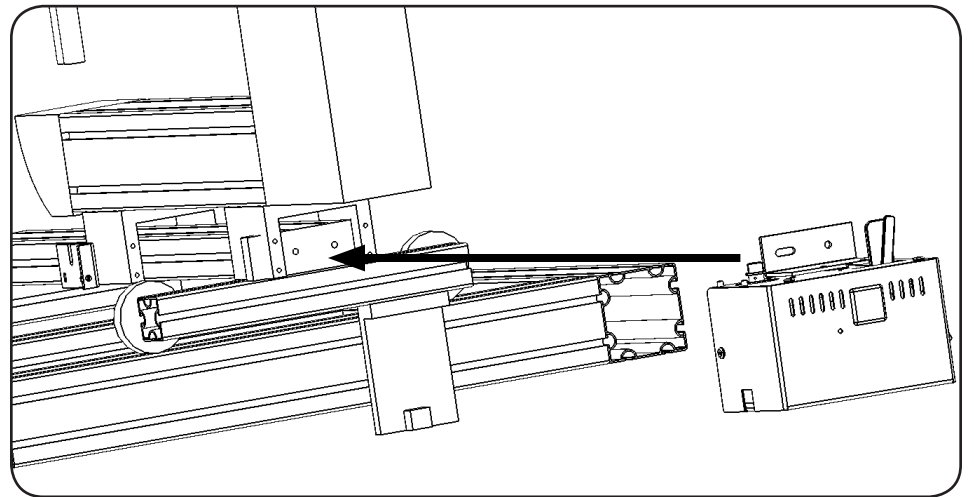
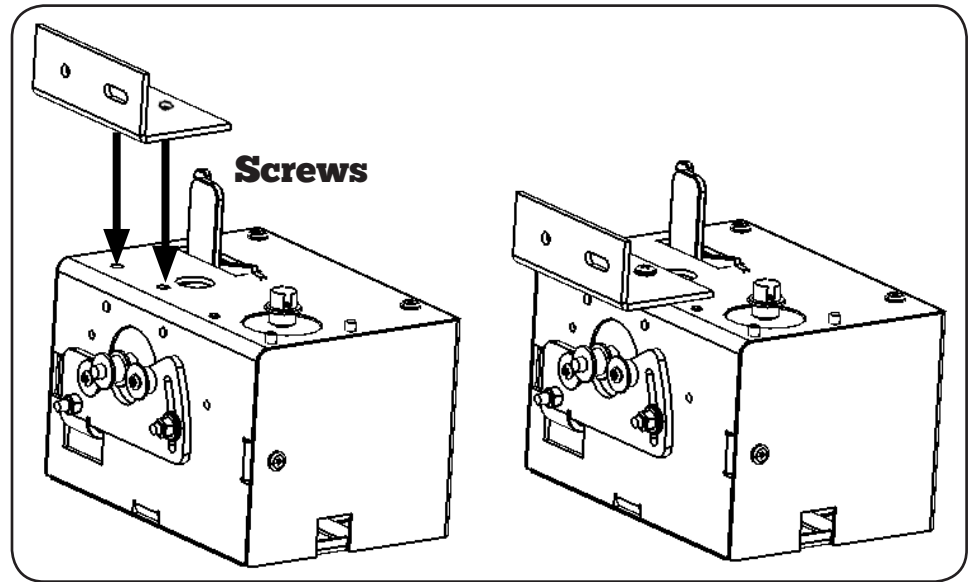


Rear Motor Box Bracket

1

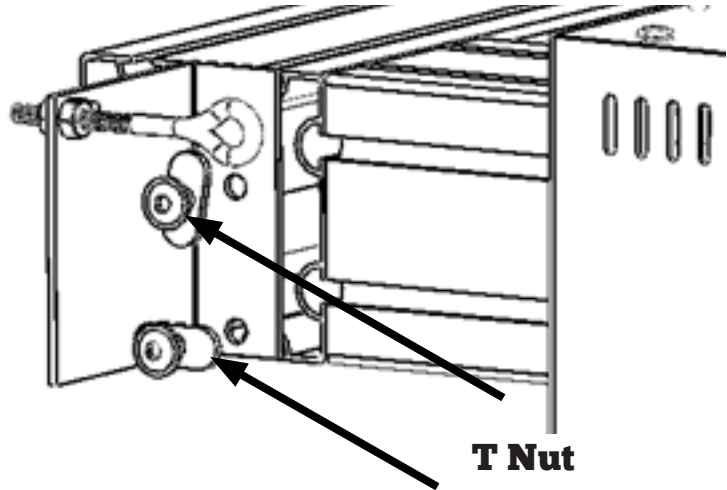
Attach Motor Bracket to top of motor box with provided screws.

Attach motor box to rear of machine with provided screws.

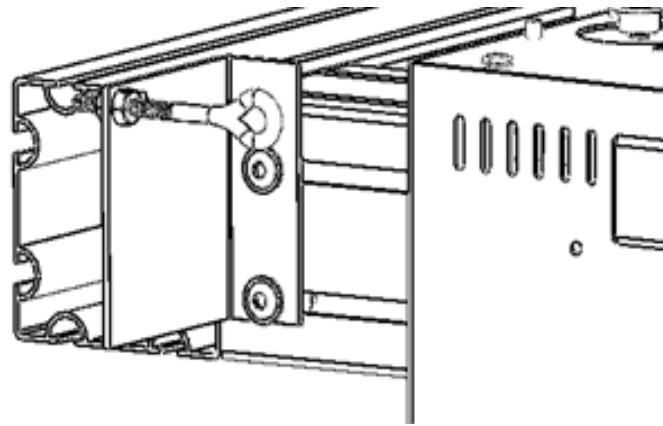


Install White Belt

- 1** Slide each pair of T Nuts into the grooves at the back corners of the frame.



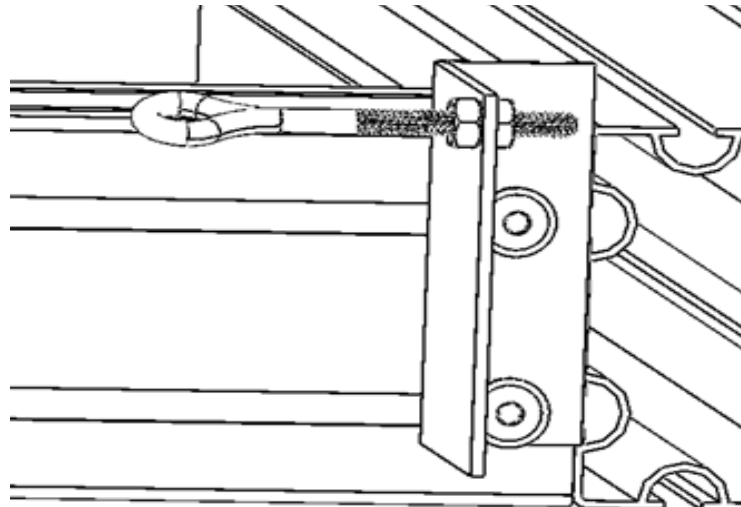
- 2** Attach Belt Bracket to T-nuts and tighten securely using provided screws.



- 3** Use belt clamps to attach end of white belt to an eye bolt.

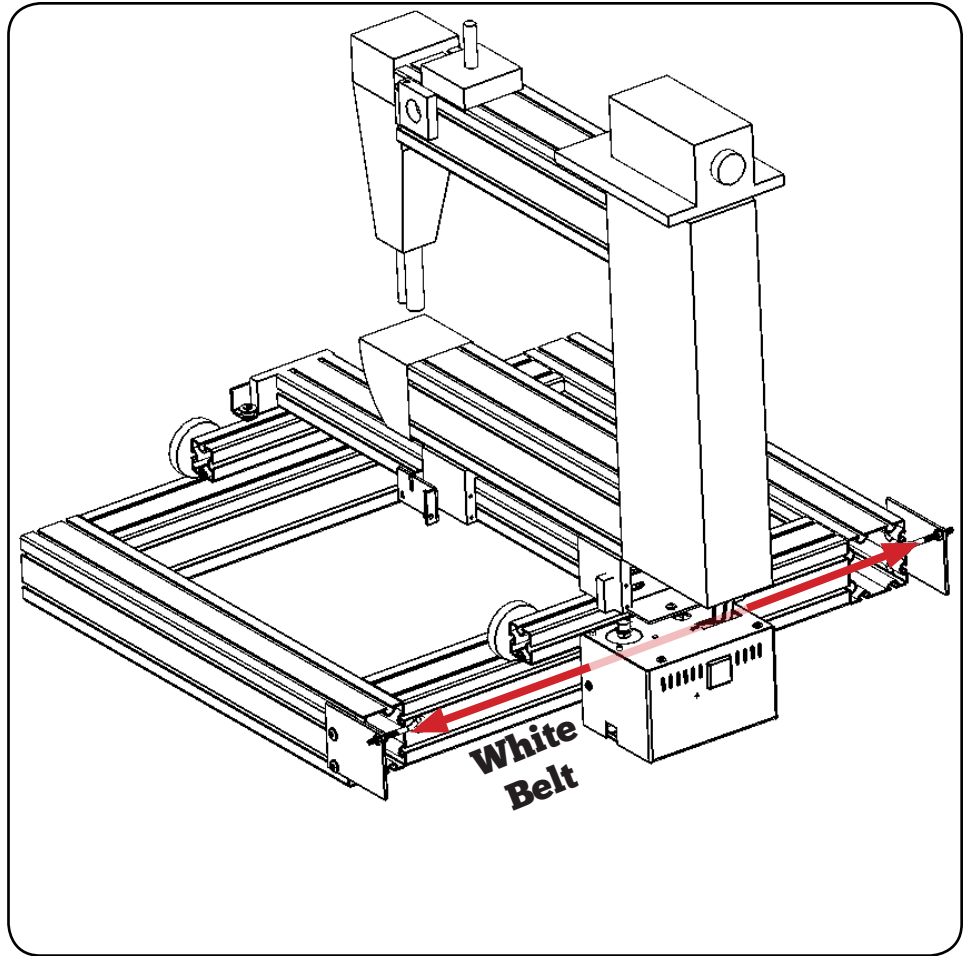
Install the eye bolt into the Belt Bracket and secure with nut.

For more on how to use belt clamps, see Appendix A on pg 11.

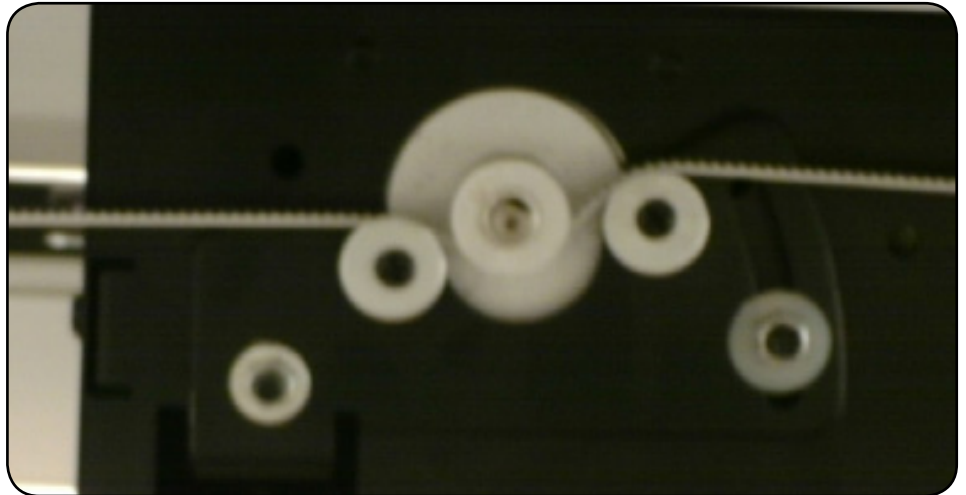


4

Follow steps 1-3 to secure remaining end of white belt to the other side of the frame.



Make sure that the teeth side of the belt are facing the motor box pulley.



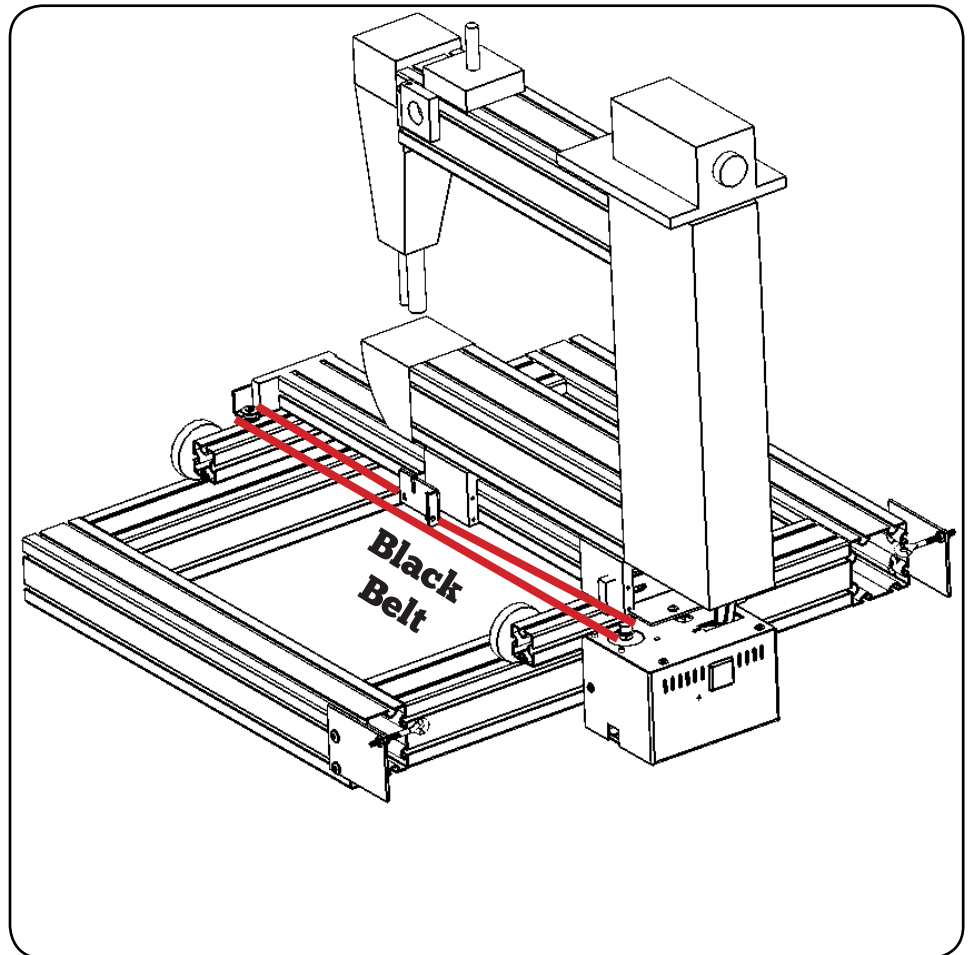
Install Black Belt

1 Using the belt clamps, attach one end of the black belt to the carriage bracket.

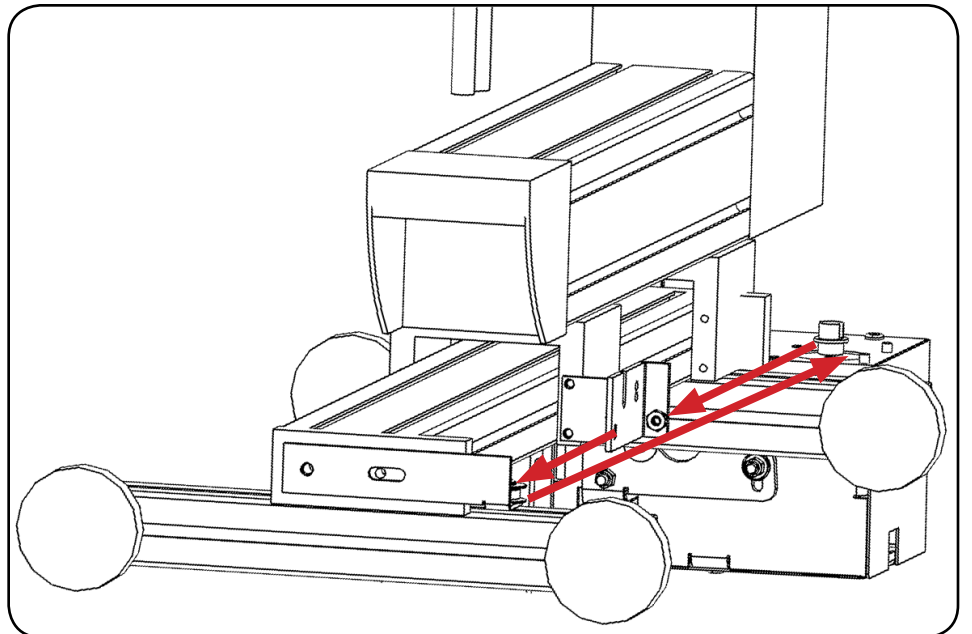
Wrap the toothed side of the black belt (highlighted at right) around both the Idle and Motor Box pulleys, then use belt clamps to attach the remaining end of the belt to the carriage bracket.

Ensure that the black belt travels **behind** the carriage bracket (shown at right).

(Bag # 35)



For more on how to use belt clamps, see Appendix A on pg 11.



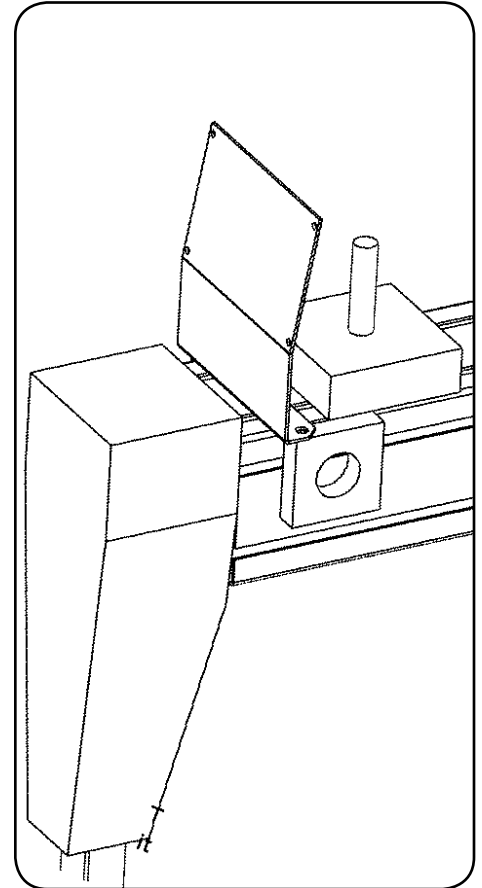
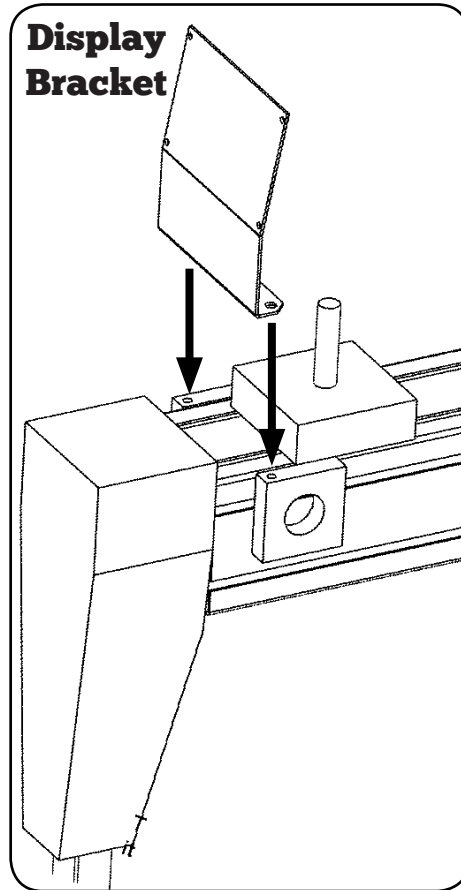
Install Display

1

Insert SD card into display.

Install display bracket onto the machine using the provided screws.

Attach display to display bracket with provided screws.



2

Plug one end of the display cable the black motor box remote port.

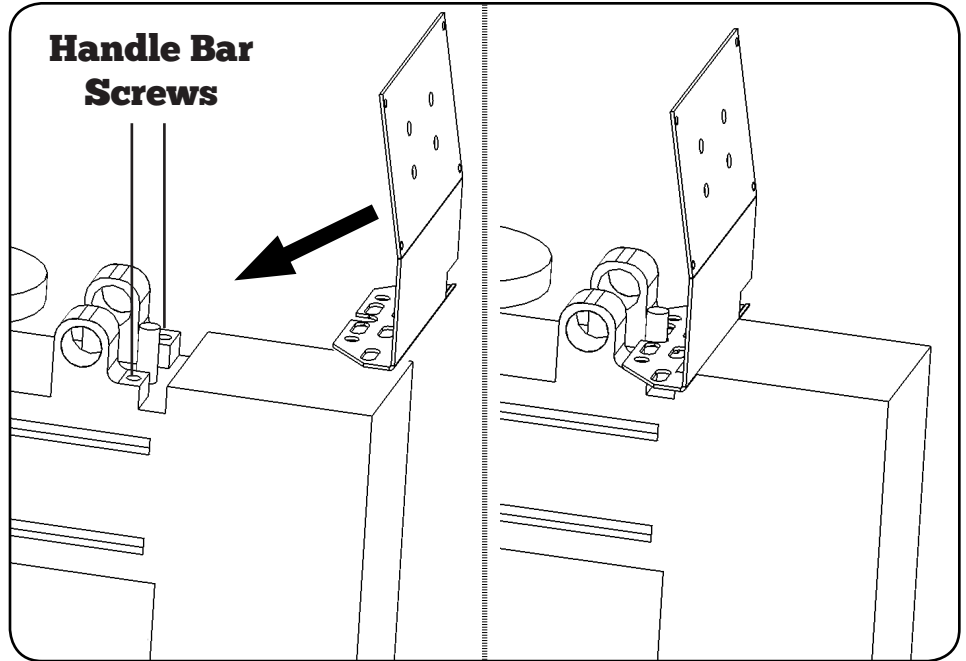
Plug the remaining end into display port found on the bottom edge of the display.



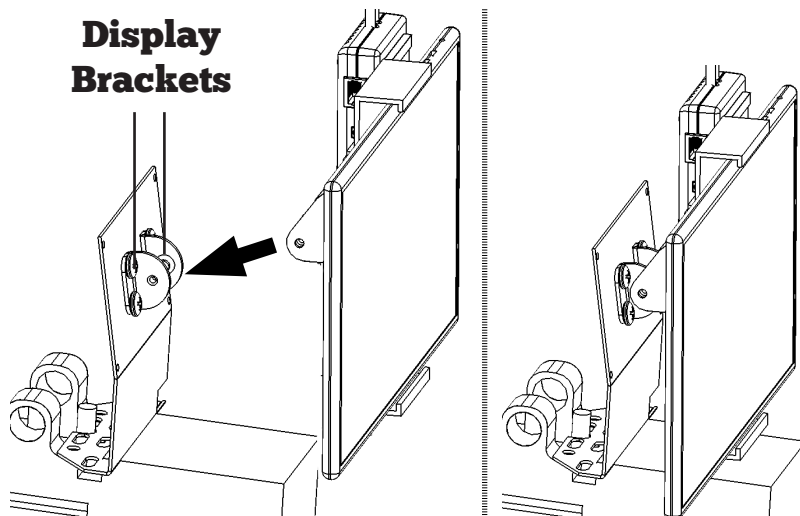
Install 10" Display

1 For "Android" Display

Install display brackets, then install display onto display brackets using provided screws.



For instructions on how to install and use your display please see the "Installing/ Trouble shooting your android tablet manual".



2 Plug one end of the display cable the black motor box remote port.

Plug the remaining end into display port found on the bottom edge of the display.

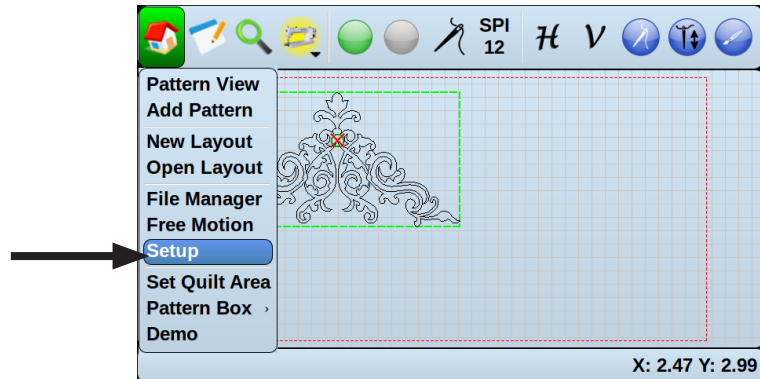


Set Machine Type

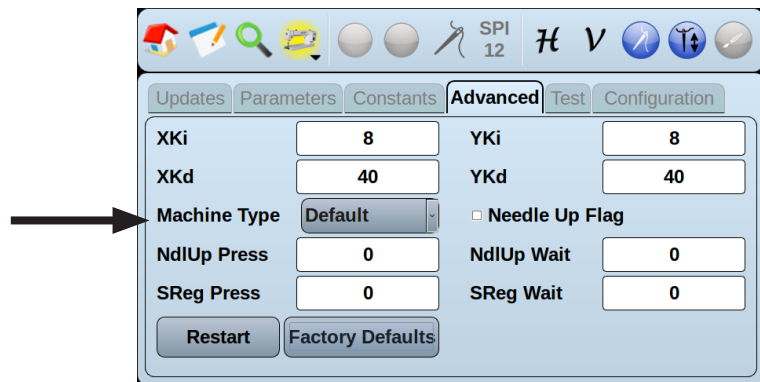
If you have a Quilt-EZ Perfect Stitch Regulator, then set your machine type to Default.

7" Tablet:

1 Power on the display, go to **Home > Setup**

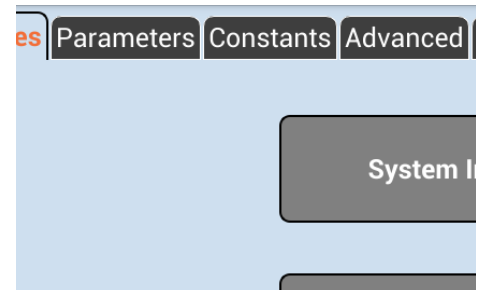
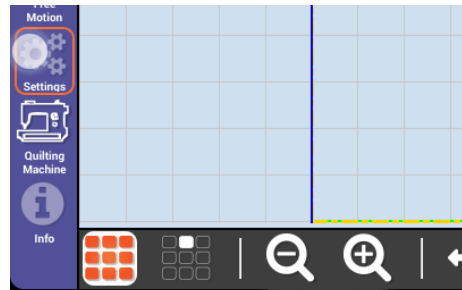


2 Go to the **Advanced** tab and set the machine type to Prodigy.

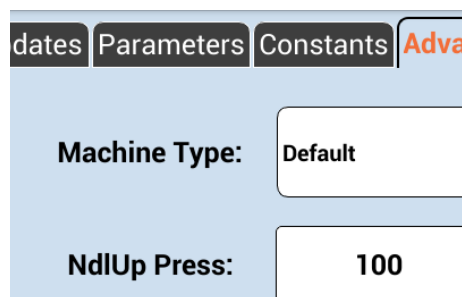


10" Android Tablet:

1 Power on the display, go to **Settings > Advanced** tab.



2 Select Machine Type and set the machine type to Prodigy.



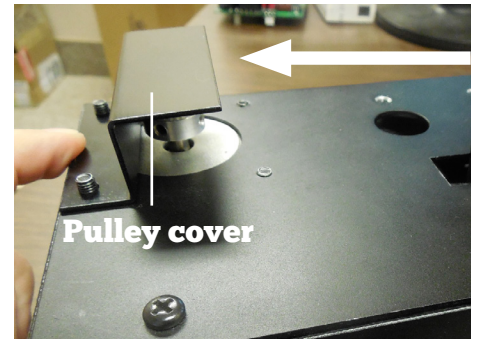
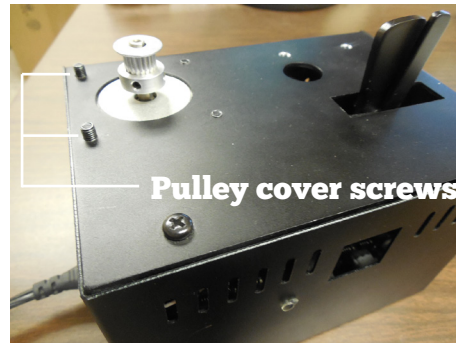
Check Belt Tension

1 A correctly tensioned belt won't be as tight as a piano string but not sagging either. Aim for a taught belt.

Adjust belts as necessary.

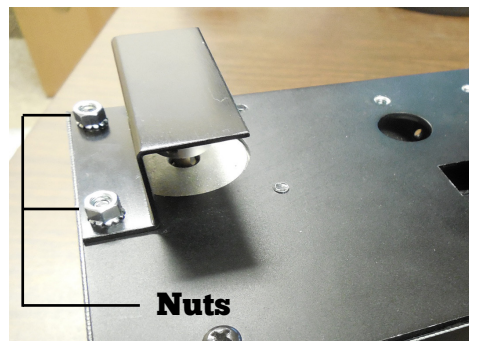
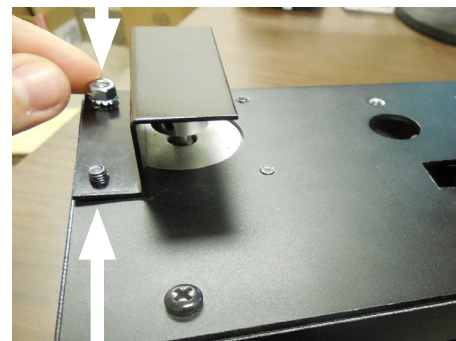
Motor Pulley Cover (Optional)

- 1** Place cover onto two screws near the top motor box pulley.



Tighten nuts onto top of screws to secure the Pulley cover.

(Refer to **Bag #28**)



What is the Pulley Cover for?

The Motor Pulley cover is an extra safety precaution to protect your fingers from getting entangled in the belt.

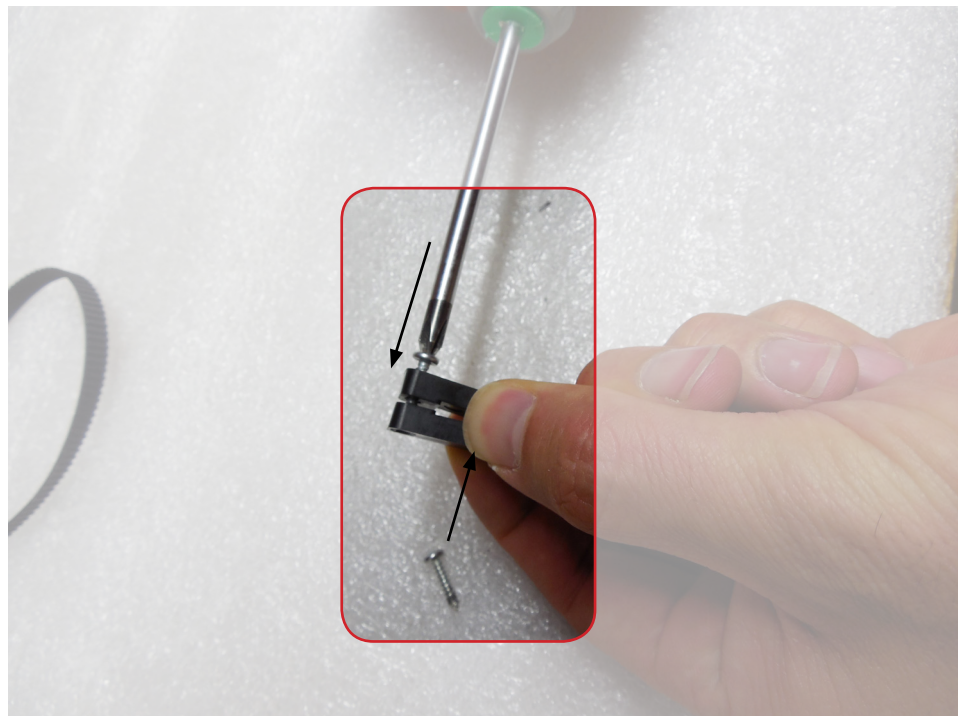
We recommend it is installed after all your belts are installed and connected to the pulleys.

Appendix A - How to use Belt Clamps

A belt clamp consists of two clamps and two screws.



- 1** Using a Phillips screwdriver, insert each screw on opposite sides of the clamps and tighten halfway.



2

Thread the belt between the clamps, loop it around and reinsert it between the clamps.



3

Align the belt teeth, then finish tightening the clamps.





Still need help?

Visit quilt-ez.com to learn how to contact us and find additional help material.



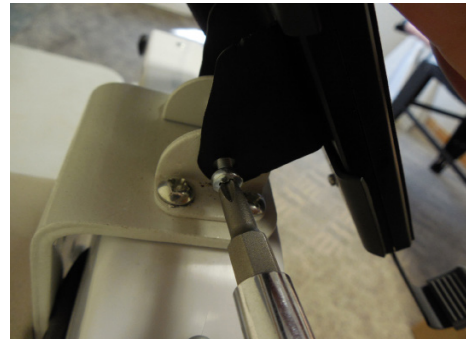
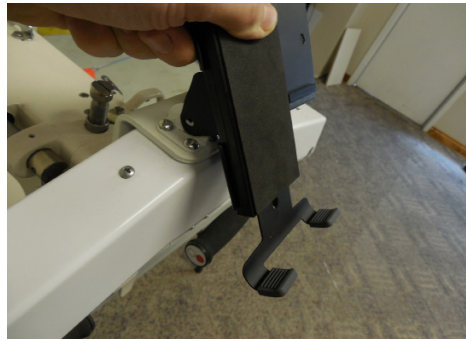
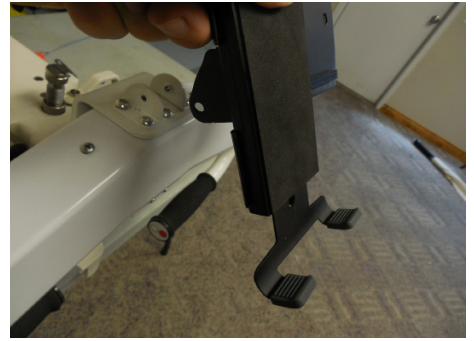
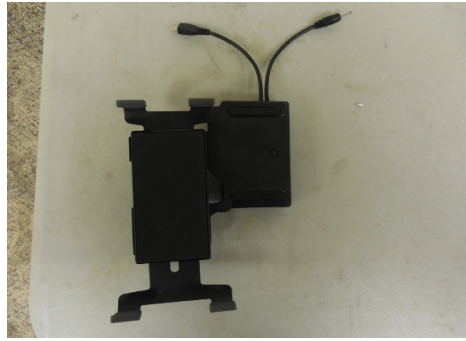
Installing/Troubleshooting your Android Tablet

Contents

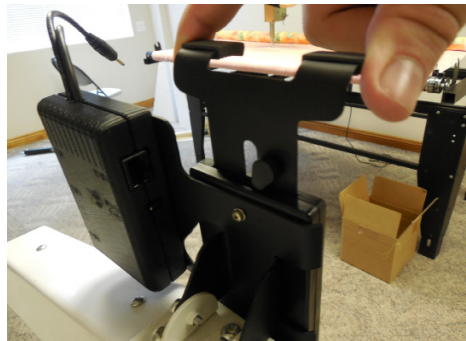
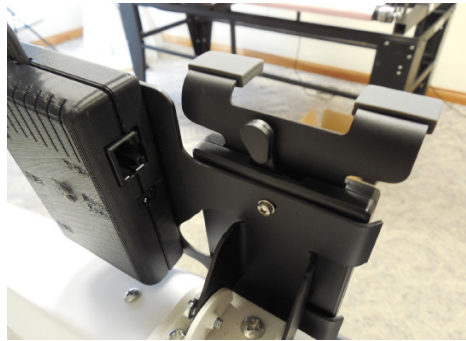
Page 1	Install onto quilt machine
Page 5	Power on tablet
Page 6	Unlock screen, open/close apps
Page 8	Update the software
Page 9	Troubleshooting

Install Display

- 1** Line up display holder with handle bar brackets and install with provided screws.



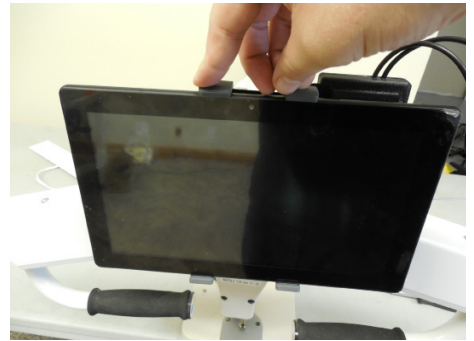
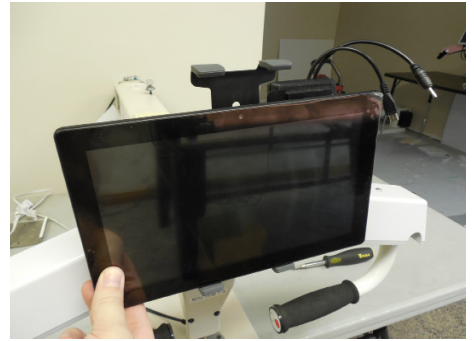
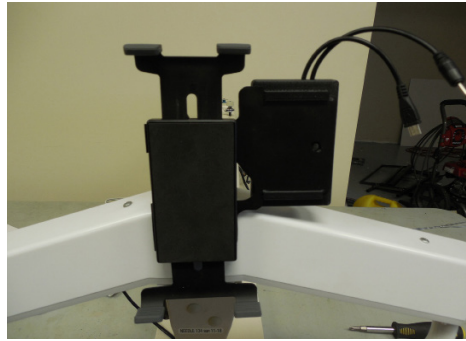
- 2** Unlock clamp from back of display holder and raise clamp.



3

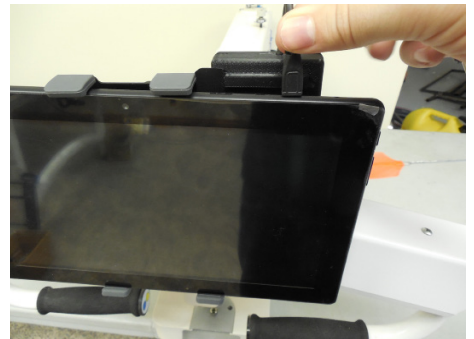
Position tablet in clamps, camera side up.

Lower clamps and tighten in place.



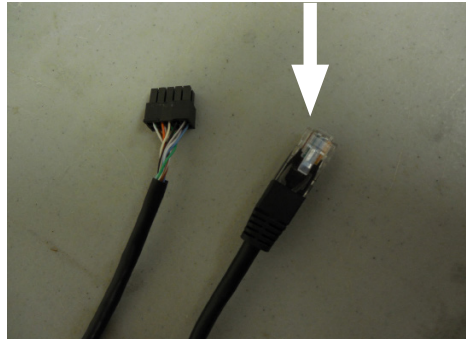
4

Lock clamps back in place and plug in wires to the DC IN and OTG ports.



5

Plug the Ethernet end of the black cable into the display junction.



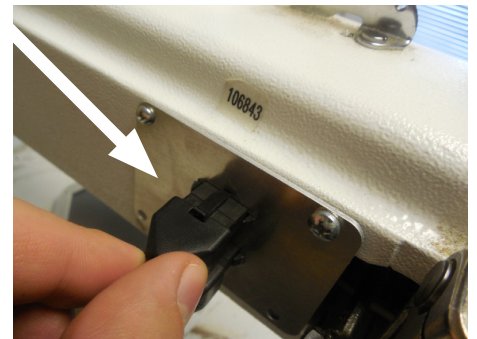
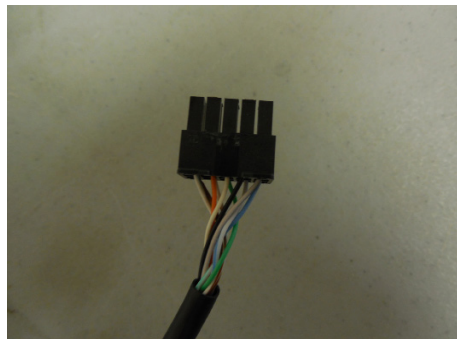
For Robotics Only:

Plug the ethernet end of the black cable into the Remote port on the Black Motor Box.



For Tin Lizzie Machines:

Plug the remaining end of the wire into the side port near the front of the Tin Lizzie machine.



For Upgraded Machines:

Adding robotics to a machine that was just upgraded:

Complete step 5 above.

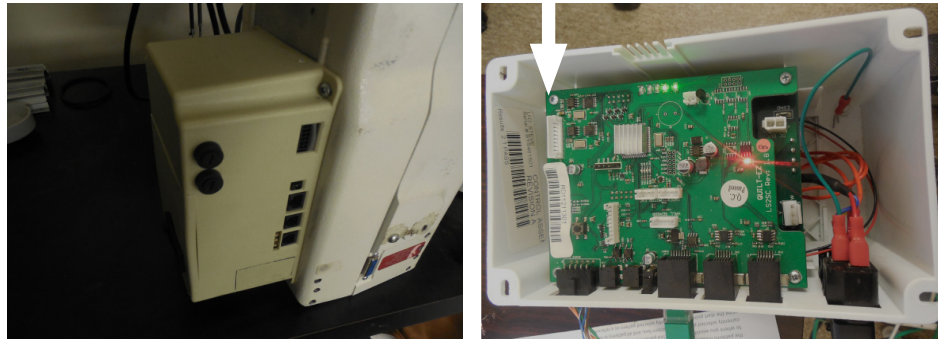
(The cable should be located near the head of the machine where the display mounts.)



Adding robotics to a machine that has already been upgraded:

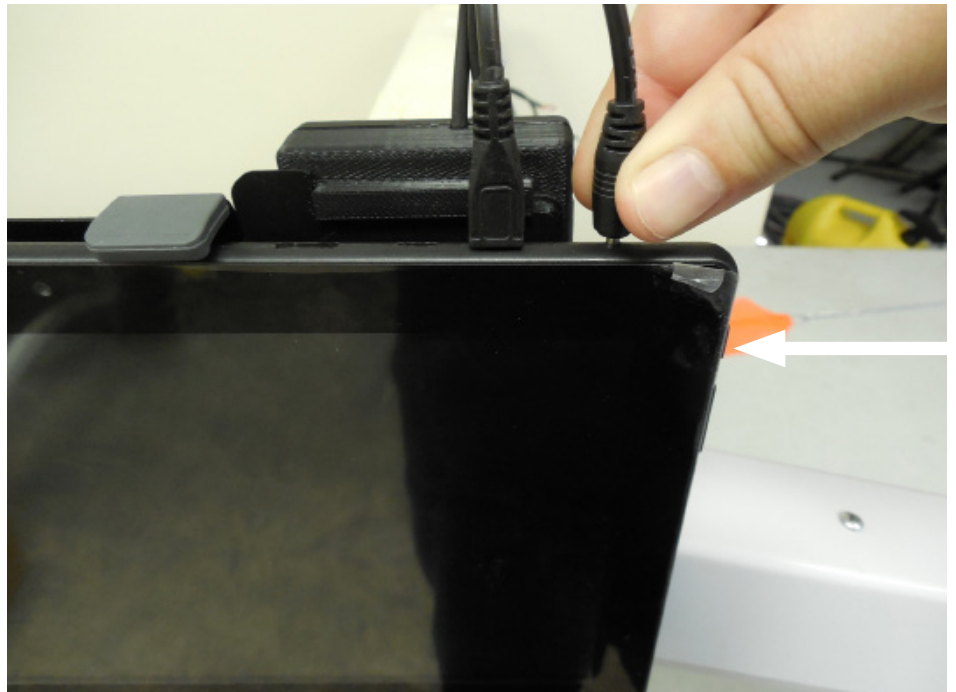
Remove the rear PCB box, and connect the remaining end into the indicated remote port.

(Route the cable internally if possible.)



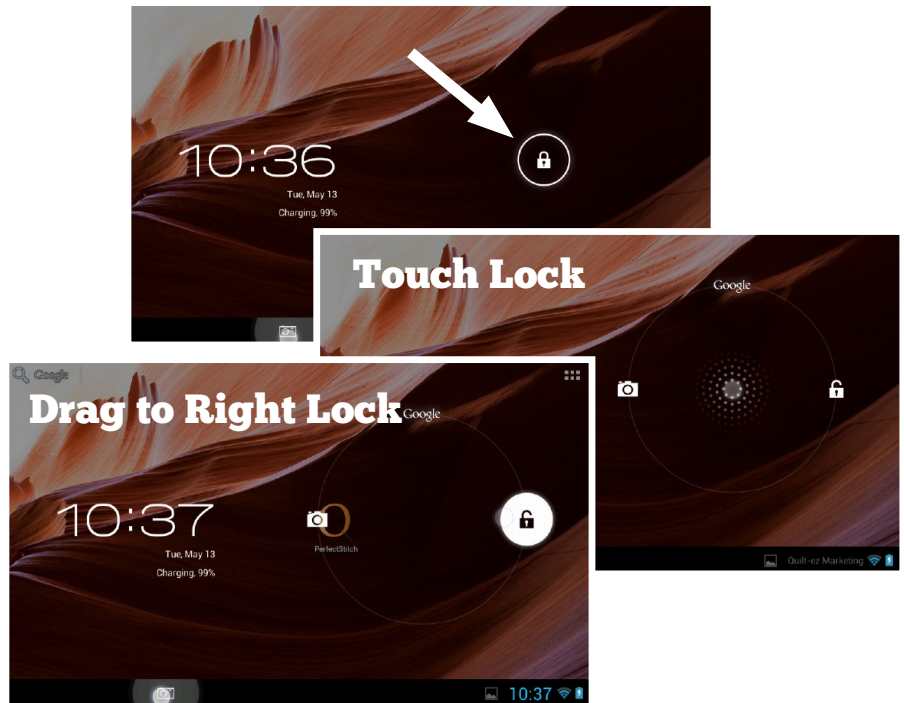
Power on Tablet

- 1** Press the power button on the top right corner to power on the tablet.



Unlock The Screen

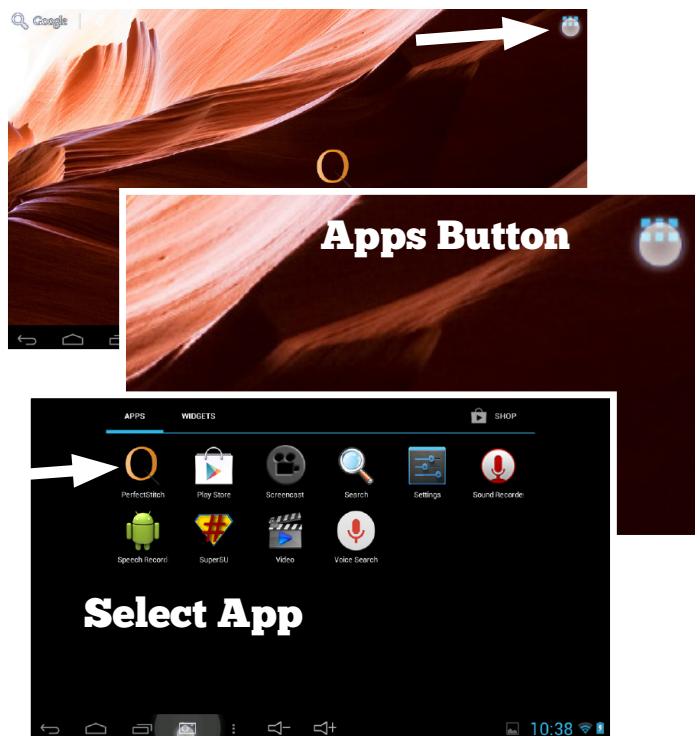
- 1 Press and hold on the lock icon, then drag your finger to the right lock icon and release.



Open an App

- 1 Press the apps button in the top right corner and select the app you would like to boot.

(Swipe your finger left and right on the screen to navigate to the desired app.)



Close an App

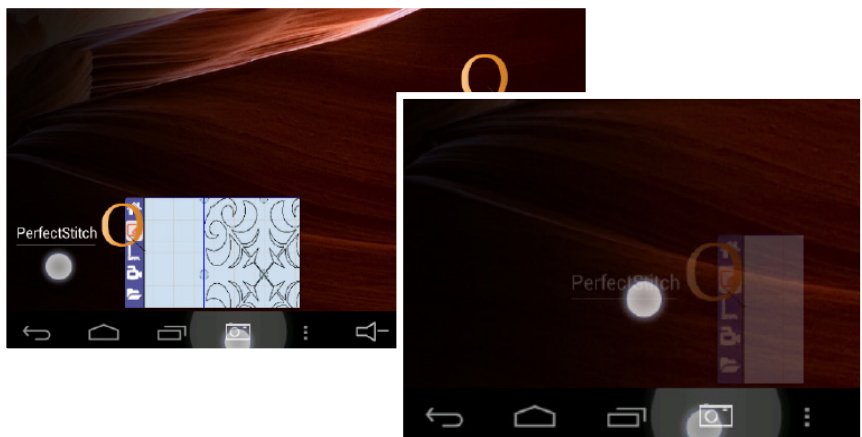
1 While on the home screen, press the recent apps icon.

A list of currently running apps will appear.



2 Press and hold onto an app, then drag it to the right until it is no longer visible.

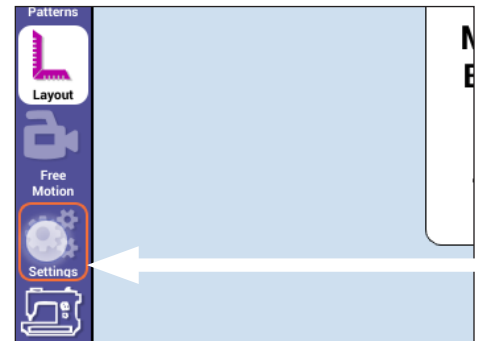
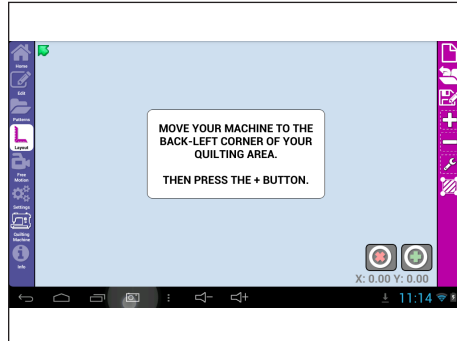
The app has now been closed.



Update the Tablet

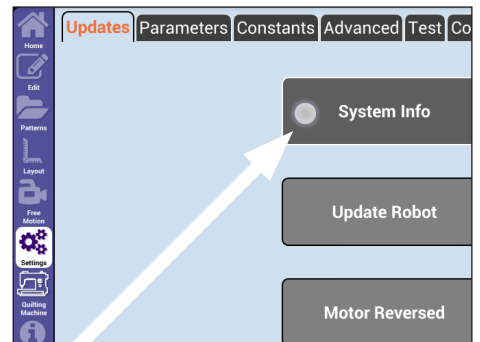
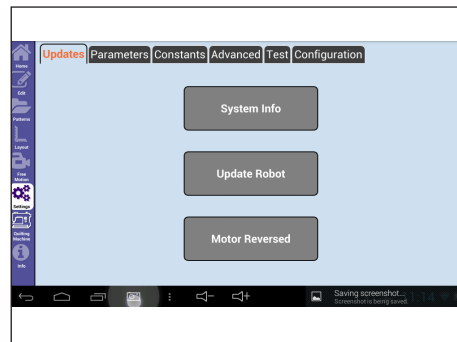
1

Press the Settings Button from the main menu.

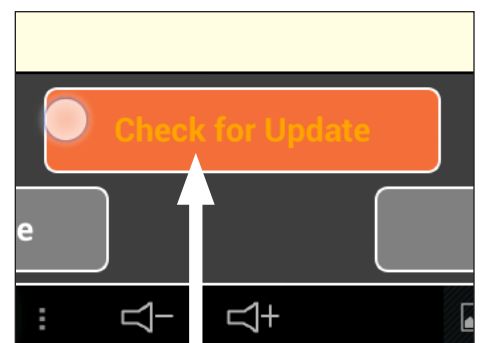
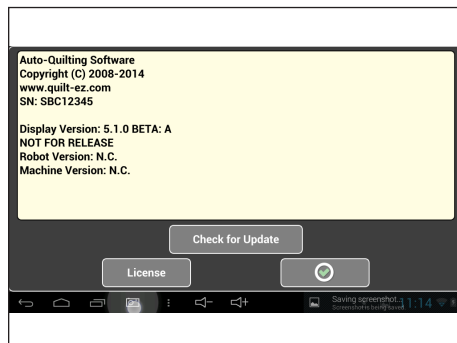


2

Press the 'System Info' button.



Press Check for update.
A button will appear that you can press to update the machine.
Press this button to update.



(If the display is already up to date, you will see the message indicated at right.)



Troubleshooting

Symptom	Possible Problem	Solution
I'm losing communication with the USB	When the tablet is powered on/off several times in a row, it can cause communication issues.	Press and hold the power button on the side of the tablet. Shut down the tablet. Once completely shut down, restart the tablet.